

P indoor
ductal
indoor applications duct[al] system

ducts solution
for indoor applications



Requirements

- > safety
- > eco-sustainability
- > energy saving

Applications

- > shopping malls and offices
- > theatres, cinemas, sports facilities
- > airports and railway terminals



P3ductal indoor
indoor applications duct[al] system

P3ductal indoor: duct solution for internal applications

15HP21 - Piral HD Hydrotec Panel



Size of panel	4000x1200 mm
Thickness of panel • Foam density	20,5 mm • 52 kg/m ³
Thickness of external/internal aluminium	80/80 µm
Finish of the aluminium	embossed/embossed

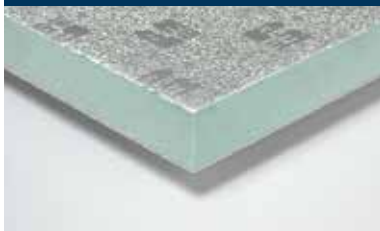
15HS21 - Piral HD Hydrotec Panel



Size of panel	4000x1200 mm
Thickness of panel • Foam density	20,5 mm • 52 kg/m ³
Thickness of external/internal aluminium	200/80 µm
Finish of the aluminium	embossed/embossed

The 200 mm thickness of the external aluminium imparts special resistance to this panel, which can thus protect the duct from accidental shocks if fitted in exposed sections (e.g. technical room).

15HP31 - Pannello Piral HD Hydrotec Big Size Panel



Size of panel	4000x1200 mm
Thickness of panel • Foam density	30,5 mm • 48 kg/m ³
Thickness of external/internal aluminium	80/80 µm
Finish of the aluminium	embossed/embossed

The 30,5 mm thickness of the foam imparts a convenient degree of resistance making this panel suitable for the construction of big size ducts and reducing the number of reinforcements necessary.



Requirements

- > safety
- > eco-sustainability
- > energy saving
- > easy cleaning and maintenance

Applications

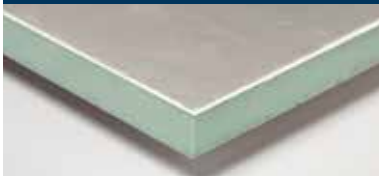
- > shopping malls and offices
- > theatres, cinemas, sports facilities
- > airports and railway terminals

P3ductal indoor

indoor applications duct[al] system

P3ductal indoor: duct solution with smooth internal aluminium for internal applications

15HL21 - Piral HD Hydrotec smooth Panel



Size of panel	4000x1200 mm
Thickness of panel • Foam density	20,5 mm • 52 kg/m ³
Thickness of external/internal aluminium	80/80 µm
Finish of the aluminium	embossed/smooth

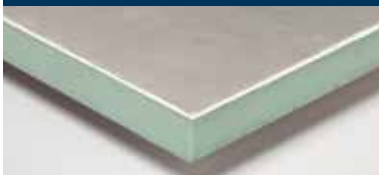
15HN21 - Piral HD Hydrotec smooth Panel



Size of panel	4000x1200 mm
Thickness of panel • Foam density	20,5 mm • 52 kg/m ³
Thickness of external/internal aluminium	80/200 µm
Finish of the aluminium	embossed/smooth

The 200 mm thickness of the internal aluminium sheet guarantees maximum resistance to any possible damage which might be done while internal cleaning operations and maintenance work take place.

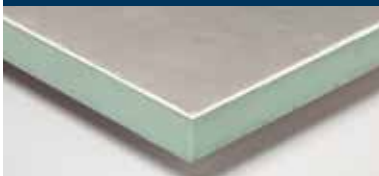
15OL21 - Piral HD Hydrotec smooth Panel



Size of panel	4000x1200 mm
Thickness of panel • Foam density	20,5 mm • 52 kg/m ³
Thickness of external/internal aluminium	200/80 µm
Finish of the aluminium	embossed/smooth

The 200 µm thickness of the external aluminium imparts special resistance to this panel, thus protecting the duct from accidental shocks if fitted in exposed sections (e. g. technical room).

15HR21 - Piral HD Hydrotec smooth Panel



Size of panel	4000x1200 mm
Thickness of panel • Foam density	20,5 mm • 52 kg/m ³
Thickness of external/internal aluminium	200/200 µm
Finish of the aluminium	embossed/smooth

The 200 mm thickness of the internal sheet guarantees resistance to any possible damage which might be done while internal cleaning operations and maintenance work take place. The 200 µm thickness of the external aluminium makes the panel resistant to accidental shocks if it is fitted in exposed sections.

15HL31 - Piral HD Hydrotec smooth Panel

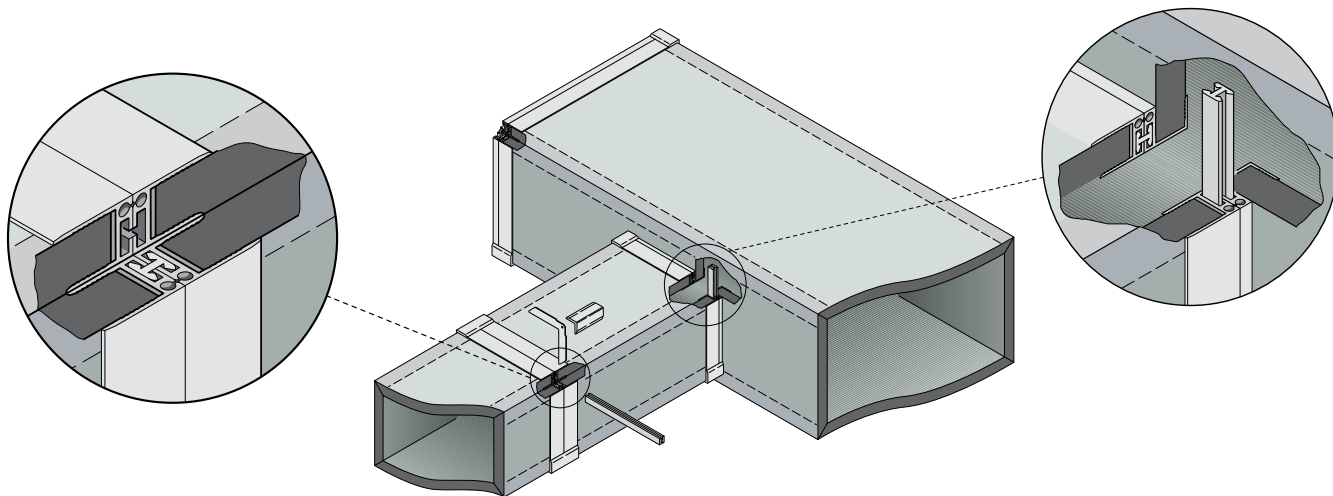


Size of panel	4000x1200 mm
Thickness of panel • Foam density	30,5 mm • 48 kg/m ³
Thickness of external/internal aluminium	80/80 µm
Finish of the aluminium	embossed/smooth

The 30,5 mm thickness of the foam imparts special resistance to this panel, making it suitable for the construction of big size ducts and reducing the number of reinforcements necessary.



I. invisible flange joint and tee connector



cod. 21FN42ABT - Thermal break invisible flange - 20 mm

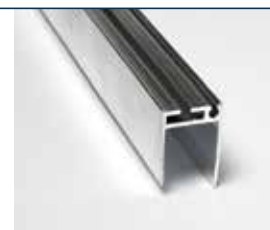
Flange, 20 mm thick, composed by an internal thermal break pvc component and external aluminium component. The bars are supplied in 4 meter length.



new

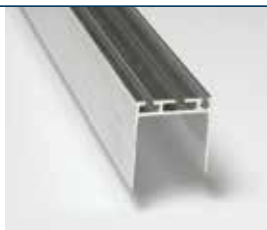
code 21FN01 - Invisible flange joint - aluminium 20 mm

This special patented aluminium flange permits 20 mm th. ducts to be joined with extremely low leakage. The bars are supplied in 4 meter length.



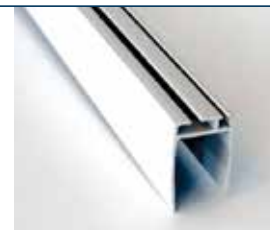
code 21FN06 - Invisible flange joint - aluminium 30 mm

This special patented aluminium flange permits 30 mm th. ducts to be joined with extremely low leakage. The bars are supplied in 4 meter length.



cod. 21FN02 - Invisible flange joint in PVC 20 mm

This special patented polymer flange permits 20 mm th. ducts to be joined with extremely low leakage. The bars are supplied in 4 meter length.



cod. 21FN09 - Invisible flange in PVC 30 m

This special patented polymer flange permits 20 mm th. ducts to be joined with extremely low leakage. The bars are supplied in 4 meter length.



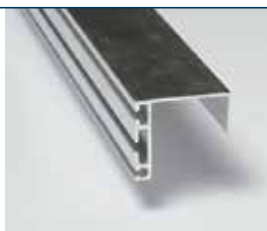
code 21FN04 - H polymer bayonet

Built in shock-resistant polymer, this piece permits "invisible flanges" to be connected. Supplied in 2 meter rods.



code 21FN03/07 - Tee connector flange joint 20/30 mm.

This patented flange permits the flanging of one duct into the side of another take-offs as tap-in or plenum chamber. The bars are supplied in 4 meter length.



code 21SQ01/02 - Zinc-coated steel angle bracket 20/30 mm

1.5 mm thick zinc-coated steel angle bracket.



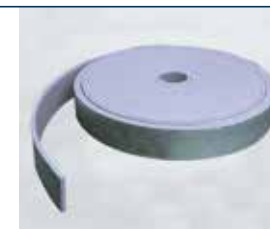
code 21FN05/08 - Covering angle 20/30 mm.

Grey polymer covering angle.

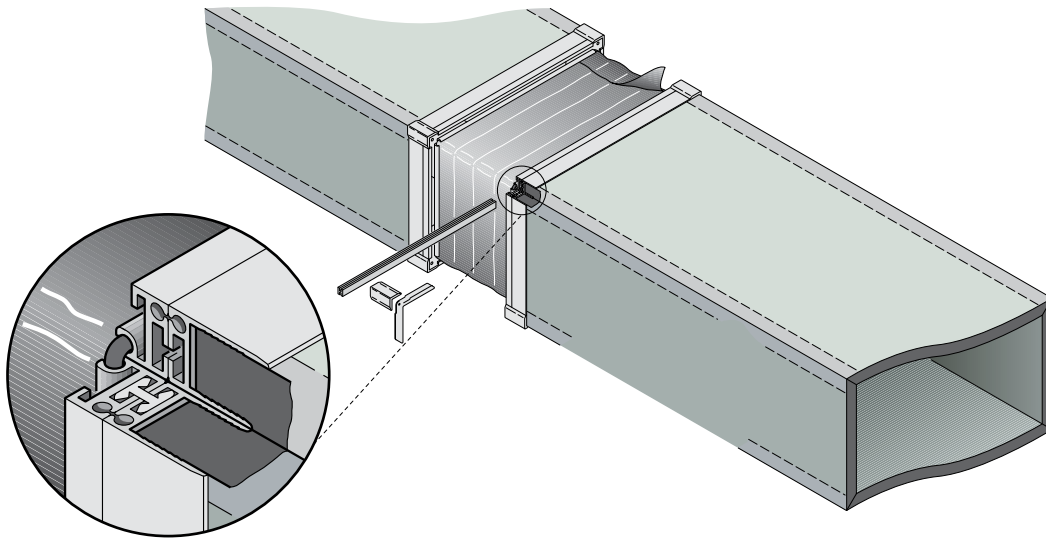


cod. 21FS03 - Thermal Insulating Tape for Joints

Anti-condensation strip for joints in closed-cell cross-linked polyethylene foam coupled on one side with embossed aluminium, width: 100 mm, length: 30 m, 12 mm thick.



2. anti-vibration joint



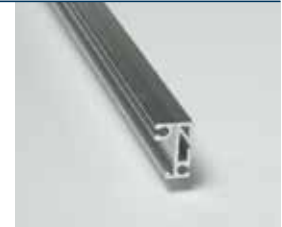
code 21GN05 - Anti vibration sheet 100 mm (25 m roll)

PVC-coated polyester sheet with rubberised edges for the creation of anti-vibration joints with a perfect seal in combination with the sheet support section bar.



code 21GN04 - Section bar supporting anti-vibration sheet

This patented section bar permits to build anti-vibration joints in combination with anti-vibration sheet (21GN05) and the zinc-coated steel angle brackets (21SQ01). Built in UNI 6060 aluminium alloy.



code 21FN04 - H polymer bayonet

Built in shock-resistant polymer, this piece permits "invisible flanges" to be connected. Supplied in 2 meter rods.



code 21SQ01 - Zinc-coated steel angle bracket 20 mm

1.5 mm thick zinc-coated steel angle bracket.



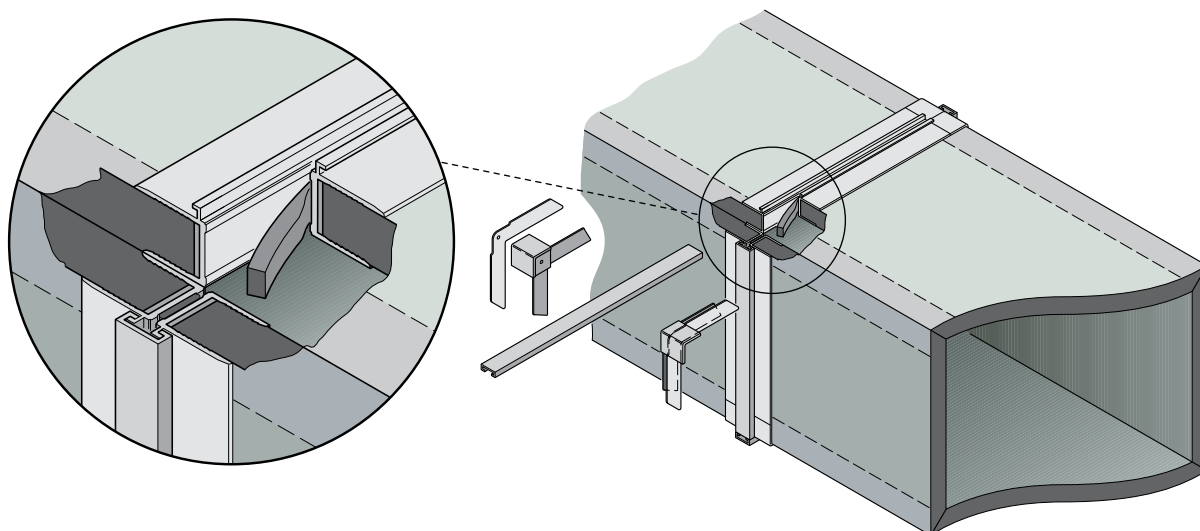
code 21FN05/08 - Covering angle 20/30 mm

Grey polymer covering angle.



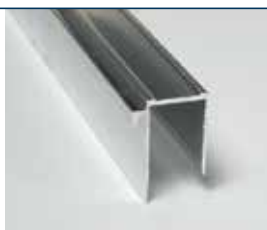


3. traditional flange



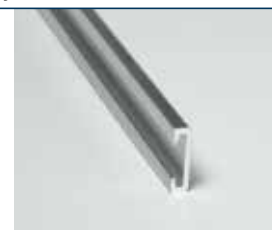
code 21FT01/06 - Traditional flange joint - aluminium 20/30 mm

Aluminium flange for the traditional joining of two ducts.



cod. 21FT03 - Aluminium traditional bayonet

This bayonet is used to connect traditional flanges. To use with appropriate self-adhesive gasket (21GR01)



code 21SQ01/02 - Zinc-coated steel angle bracket 20/30 mm

1.5 mm thick zinc-coated steel angle bracket.



code 21FT05 - Reinforcement angles in polyamide-fibre glass

Indicated to reinforce the duct corner and improve external appearance.



code 21GR01 - Self adhesive duct gaskets

Light grey, self-adhesive polyurethane foam gasket. Indicated for the reduction of air leakage. Width: 15 mm; thickness: 10 mm.

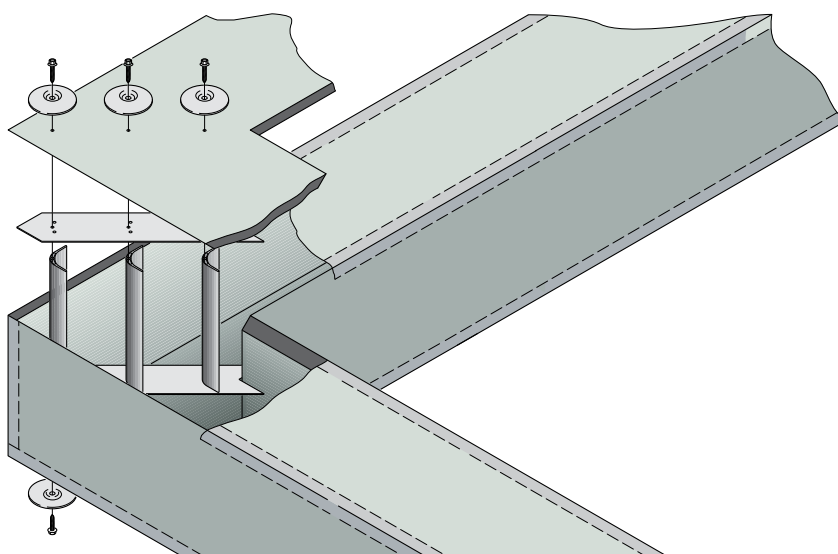


code 21FT07 - Angle bracket in pvc for 30 mm thick traditional flange

Indicated to reinforce the duct corner and improve external appearance.



4. turning vanes



code 21CP03 - Turning vanes in aluminium

Turning vane in UNI 6060 aluminium to insert in special flat guide.



code 21CP04 - Flat guide for turning vane fastening

Pre-drilled aluminium strip for the correct positioning of wing-section turning vanes. Supplied in 2 meter rods.



code 21RF01 - Aluminium shaped disk

Aluminium disk to distribute the pressure created at the centre over a wider surface to prevent damage to the panel, disk diameter 100 mm, hole diameter 10 mm.



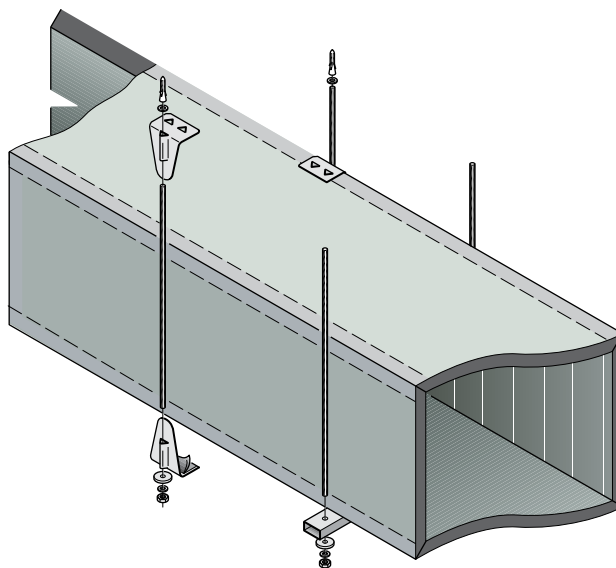
code 21RF03 - Zinc plated self threading screws 6,3 x 60 mm

Hexagon head self-threading screws with washer. Used to fasten reinforcement section bars, wing profile turning vanes and splitters in elbows, etc.



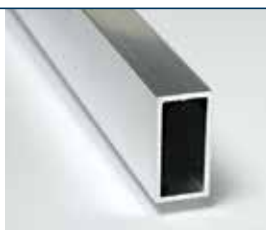


5. duct supports



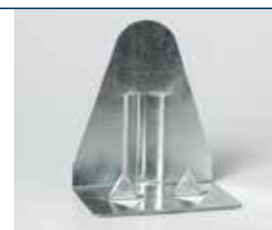
code 21PR05 - Saddle section bar - aluminium 20 mm

Rectangular aluminium tube built in natural aluminium and supplied in 4 meter rods.



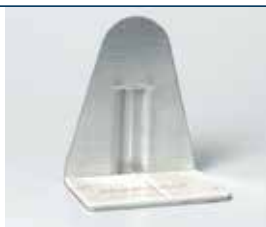
code 21SS05 - Hooked hanger bracket

This 1.5 mm zinc-coated bracket is used for rapid duct support and hanging. These brackets are equipped with a slot for the insertion of the threaded bar.

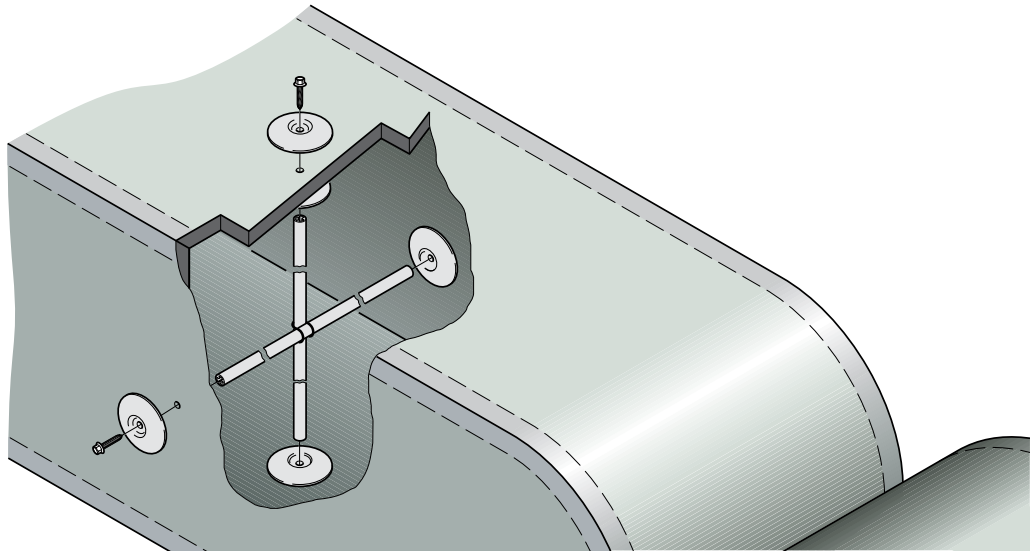


code 21SS01 - Self-adhesive bracket

This 1.5 mm zinc-coated bracket is used for rapid duct support and hanging. These brackets are equipped with a slot for the insertion of the threaded bar.



6. reinforcement



code 21RF02 - Reinforcement section bar in aluminium

Special high stiffness aluminium alloy reinforcement section bar.
Bars are supplied in 4 meters rods.



code 21RF01 - Aluminium shaped disk

Aluminium disk to distribute the pressure created at the centre over a wider surface to prevent damage to the panel. Disk diameter 100 mm, hole diameter 10 mm.



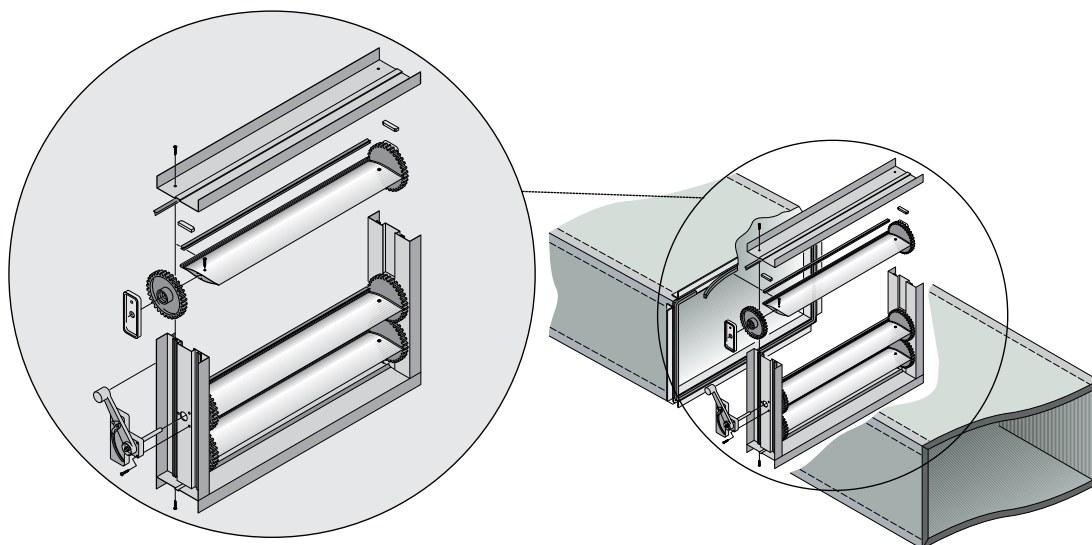
code 21RF03 - Zinc plated self threading screws 6,3 x 60 mm

Hexagon head self-threading screws with washer. Used to fasten reinforcement section bars, wing profile turning vanes and splitters in elbows, etc.



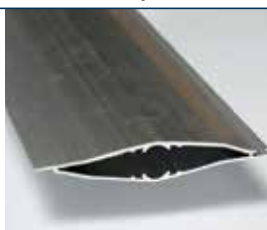


7. damper



code 21SR01 - Double vane section bar for modular damper

Built in UNI 6060 aluminium alloy.
Supplied in 3 meter rods.



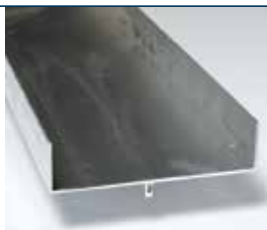
code 21SR02 - Omega vane section bar for modular damper

This section bar in natural UNI 6060 aluminium alloy is used to create the frame that houses the gears in volume dampers and is supplied in 3 meter rods.



code 21SR03 - "C" section bar for modular damper

This section bar in natural UNI 6060 aluminium alloy is used to create the frame in volume dampers and supplied in 3 meter rods.



code 21SR07 - Drive for modular damper

This drive is used for manufacturing volume dampers.



cod. 21SR04 - Gear



cod. 21SR06 - Gasket



cod. 21SR05 - Gear shims



cod. 21SR08 - Screws for damper

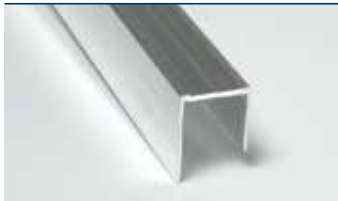


damper connection

cod. 21PR03/07 - "F" section bar all. 20/30 mm



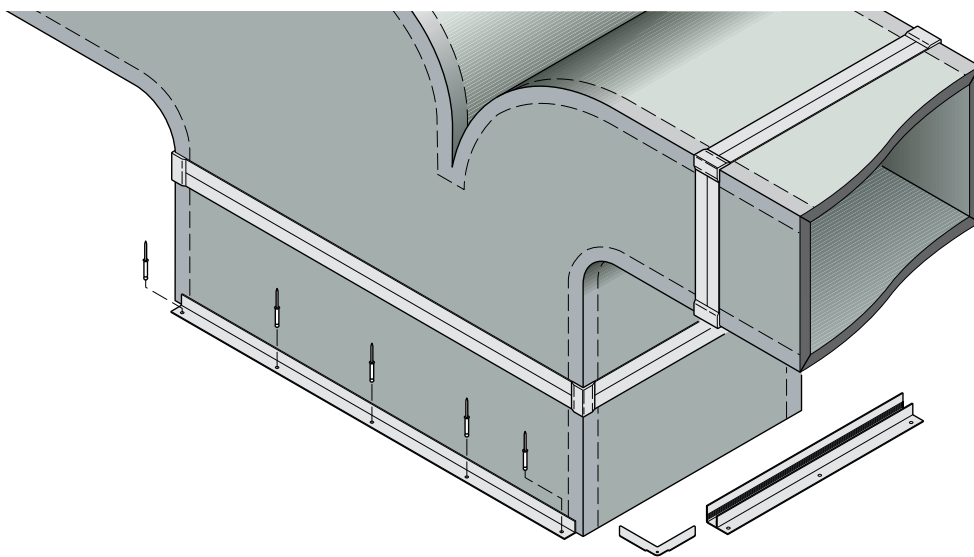
cod. 21PR01/14 - "U" section bar all. 20/30 mm



cod. 21SQ03/04 - Steel angle bracket "F" 20/30 mm



8. AHU connection



code 21PR03/07 - "F" section bar in aluminium - 20/30 mm

It permits all accessories with fastening frames higher than 20 mm to be fastened to the ducts. Supplied in 4 meter rods.



code 21SQ03/04 - Steel angle bracket for "F" bar 20/30 mm

1.5 mm thick zinc-coated steel angle bracket.



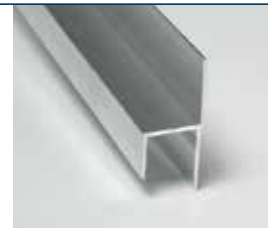
cod. 21SQ01/02 - Squadretta di rinforzo zincata 20/30 mm.

1.5 mm thick zinc-coated steel angle bracket.



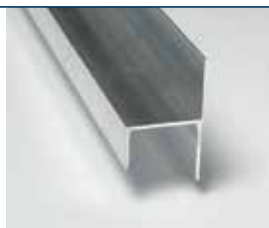
code 21PR02 - Chair section bar in aluminium - 20/30 mm

Used to fasten ducts to air handling units and in the assembly of linear diffusers. This section bar is supplied in 4 meter rods.



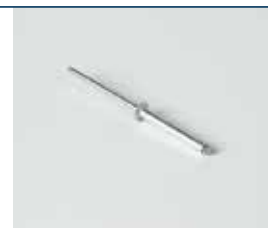
code 21PR15 - Chair section bar in aluminium - 30 mm

Used to fasten ducts to air handling units and in the assembly of linear diffusers. This section bar is supplied in 4 meter rods.



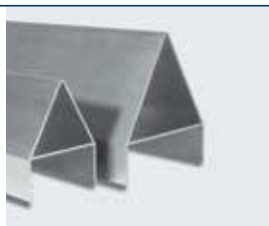
code 21RV01 - Special aluminium rivets 3,8 x 30 mm

The 30 mm length permits to create fastening to the panels through the section bars.



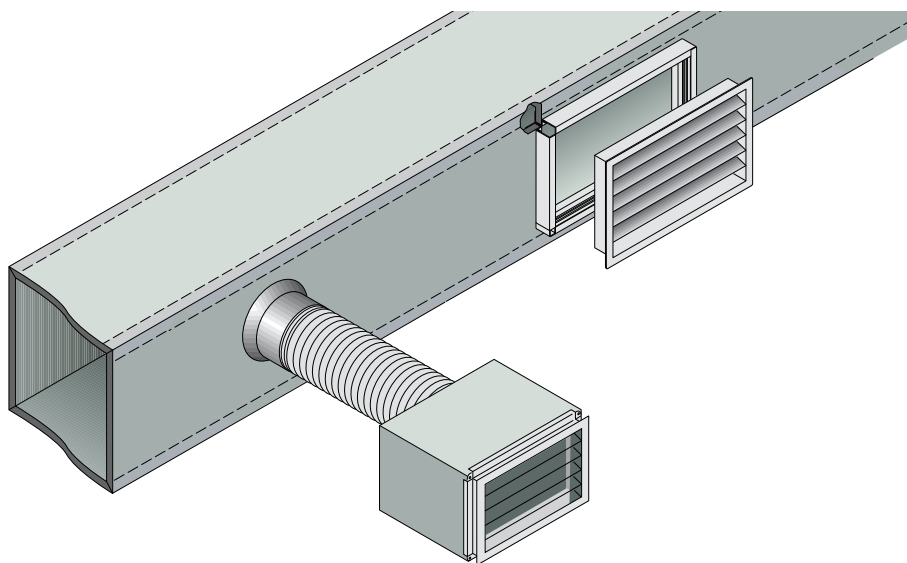
21PR34/35 - Deflector profile 20/30 mm

This section bar in natural UNI 6060 is used to apply deflectors to P3ductal ducts. It is supplied in 4 meters rods.



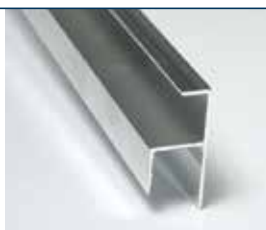


9. grilles



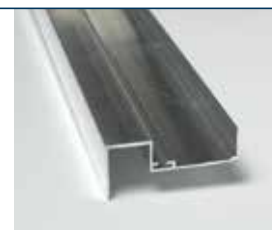
code 21PR04 - Grille section bar in aluminium 20 mm

This section bar, finished with double frame, is built in natural UNI 6060 aluminium alloy and supplied in 4 meter rods.



code 21PR06 - "S" section bar in aluminium 20 mm

Built in natural UNI 6060 aluminium alloy and supplied in 4 meter rods.



cod. 21SQ01 - Zinc-coated steel angle bracket 20 mm

1.5 mm thick zinc-coated steel angle bracket.



code 21CRxx - Aluminium tap-in collars

cod. 21CR10 Collars D 100 mm.
cod. 21CR15 Collars D 150 mm.
cod. 21CR20 Collars D 200 mm.
cod. 21CR25 Collars D 250 mm.
cod. 21CR30 Collars D 300 mm.
cod. 21CR35 Collars D 350 mm.



21PR29 - Plasterboard profile 20 mm

This section bar in natural UNI 6060 is used to apply dampers to P3ductal ducts, even in presence of a plasterboard wall. It is supplied in 4 meters rods.



Flexible ducts



ACCESSORIES

- 21FS01 Duct clamp
- 21FS02 Tilting head for 21FS01

INSULATED FLEXIBLE DUCT AL-AL

- 21FG10 Insulated AL-AL flexible duct Ø 102
- 21FG15 Insulated AL-AL flexible duct Ø 152
- 21FG20 Insulated AL-AL flexible duct Ø 203
- 21FG25 Insulated AL-AL flexible duct Ø 254
- 21FG30 Insulated AL-AL flexible duct Ø 304

ALUMINIUM-POLYESTER FLEXIBLE DUCT

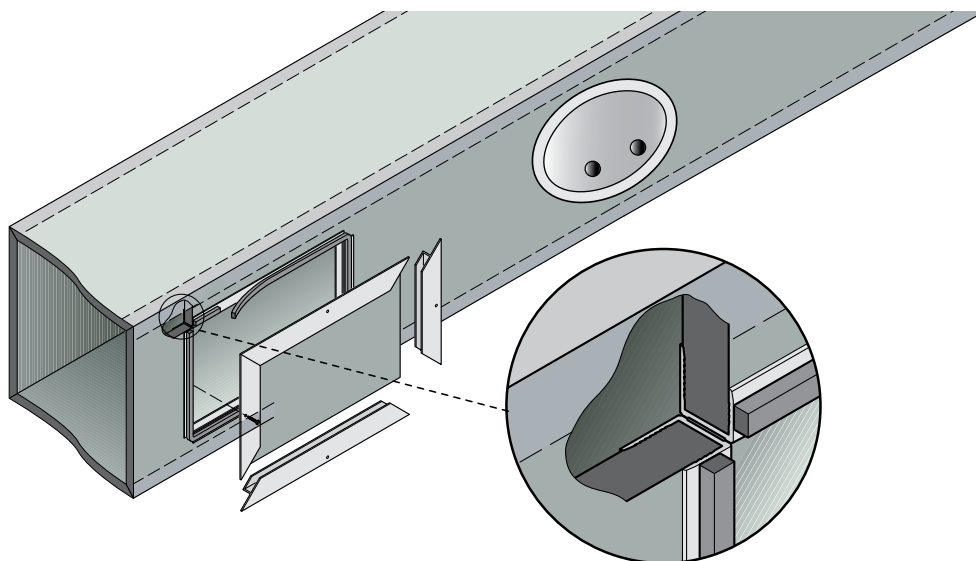
- 21FH10 AL flexible duct Ø 102
- 21FH15 AL flexible duct Ø 152
- 21FH20 AL flexible duct Ø 203
- 21FH25 AL flexible duct Ø 254
- 21FH30 AL flexible duct Ø 304

INSULATED FLEXIBLE DUCT (PVC INTERNAL - ALUMINIUM EXT)

- 21FI10 Insulated PVC-AL flexible duct Ø 102
- 21FI15 Insulated PVC-AL flexible duct Ø 152
- 21FI20 Insulated PVC-AL flexible duct Ø 203
- 21FI25 Insulated PVC-AL flexible duct Ø 254
- 21FI30 Insulated PVC-AL flexible duct Ø 304
- 21FI35 Insulated PVC-AL flexible duct Ø 356
- 21FI40 Insulated PVC-AL flexible duct Ø 406

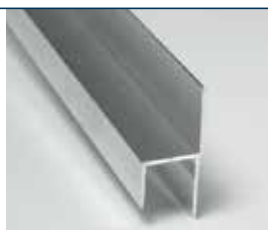
PVC FLEXIBLE DUCT

- 21FL10 PVC flexible duct Ø 102
- 21FL15 PVC flexible duct Ø 152
- 21FL20 PVC flexible duct Ø 203
- 21FL25 PVC flexible duct Ø 254
- 21FL30 PVC flexible duct Ø 304
- 21FL35 PVC flexible duct Ø 356
- 21FL40 PVC flexible duct Ø 406



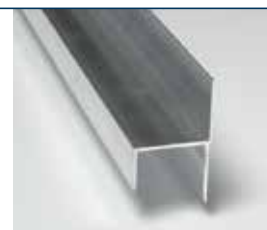
code 21PR02 - Chair section bar in aluminium 20 mm

This section bar is also used to fasten ducts to air handling units. Together with the “U” section bar, this section bar is used to build access doors. This section bar is supplied in 4 meter rods.



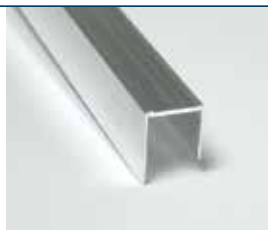
cod. 21PR15 - Chair section bar in aluminium 30 mm

This section bar is also used to fasten ducts to air handling units. Together with the “U” section bar, this section bar is used to build access doors. This section bar is supplied in 4 meter rods.



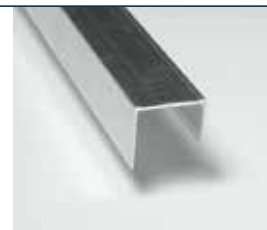
code 21PR01 - “U” section bar in aluminium 20 mm

Extremely versatile aluminium section for fastening of anti-vibration joints, volume dampers, and connection to sheet metal ducts. This section bar is supplied in 4 meter rods.



cod. 21PR14 - “U” section bar in aluminium 30 mm

Extremely versatile aluminium section for fastening of anti-vibration joints, volume dampers, and connection to sheet metal ducts. This section bar is supplied in 4 meter rods.



code 21PI01 - Access door

Built in fire resistant plastic material
Use for a easy access into the duct without changing duct performance.



code 21GR01 - Self adhesive duct gaskets

Light grey, self-adhesive polyurethane foam gasket. Indicated for the reduction of air leakage. Width: 15 mm; thickness: 10 mm.



